



ALPHATRON  
Marine



Color plotter

# JLZ-1000

High-speed and accurate display of charts

[www.jrc.am](http://www.jrc.am)

# Features

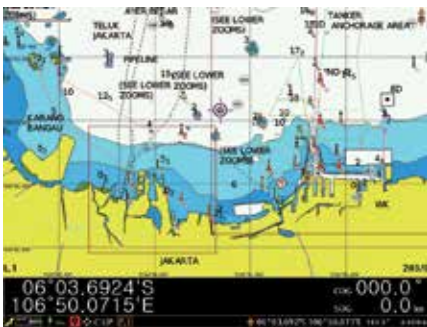
The newest NAVIONICS+ allow for incredibly detailed display of sea areas. The JLZ-1000 color plotter also has a high-speed display contributing to a stress-free navigation and chart updates to let you operate while using the latest data.



- High speed and detailed display of sea areas
- Display up to four split screens
- Update with the latest charts
- New control additions for simple easy usage
- Display/erase tracks by changing color of tracks
- Connect to radar, echosounder, AIS, NAVTEX, etc.
- Import tracks and marks from other JRC devices
- Display of monitored images by connecting CCTV
- Dedicated keyboard allows simple operation
- Various colourful applications

# NAVIONICS+ charts

The JLZ-1000 fully supports NAVIONICS+, one of the most accurate and thorough set of global nautical charts created for marine environment available today. All essential details are included, such as port plans, safety depth contours, marine services, tides & currents and navigation aids – showed without delay allowing for stress-free operation. Also Newpec charts, the new personal electronic chart made available by the Japan Hydrographic Association, are supported for Japan.



Jakarta port



Singapore port



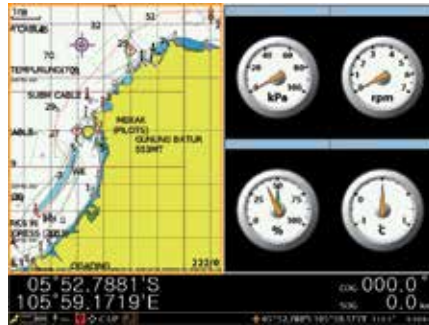
Bangkok port

# Color

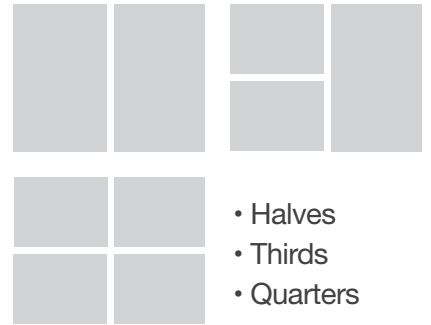
By connecting the (D)GPS receiver or GPS navigation system, the JLZ-1000 continuously plots the tracks of own ship in color together with latitude and longitude lines and scales. You can display and erase tracks easily by changing the color of the tracks. This function is very useful as it enables users to identify the movements of operations intuitively. Another feature is that you are able to record destinations and passing points (using marks such as dangerous, shoal and fish reef position) and displays them in color.

# Display

Indicates up to four kinds of various information incl. charts, highways, analog meters and monitoring displays in split-screen simultaneously.



## Split screen options



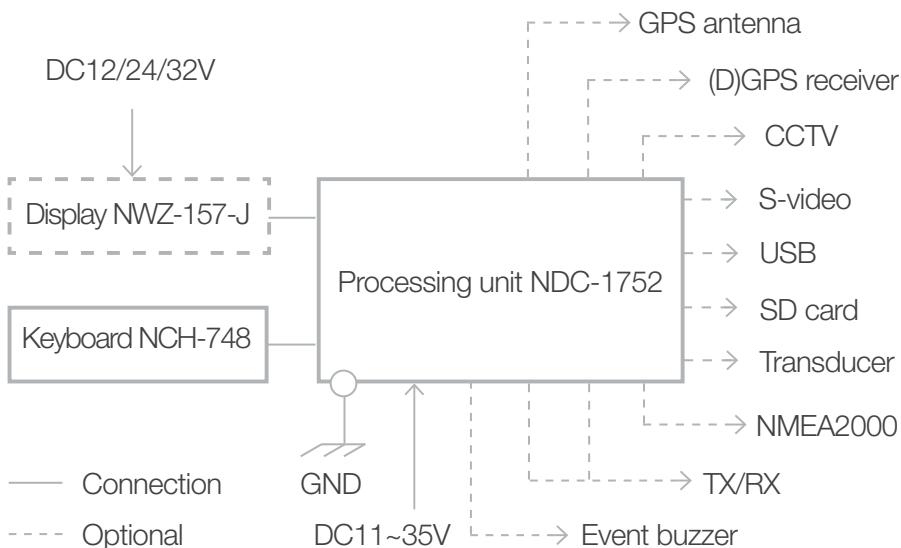
- Halves
- Thirds
- Quarters

# Keyboard

The JLZ-1000 allows you to carry out all operation simply by using the keyboard, even in turbulent waters. It is possible to assign up to ten different preset functions.



# System diagram



## In the box

Processing unit	NDC-1752
Power supply cable	CFQ-7516
Operation unit	NCH-748
Velcro tape	MTZ302573
Flush mount kit	MPTG31340
Instruction manual	7ZPNA4661
Operation guide	7ZPNA4663
Spare fuse	51NR205000
	51NR207000

## Optional

LCD monitor	NWZ-157-J
LCD monitor	NWZ-211
GPS antenna	NAY-1200
GPS receiver	JLR-4340
DGPS receiver	JLR-4341
Media cable	CFQ-7517
Transducer (600W)	CFT-2505KZ
Transducer (1KW)	CFT-2510KZ
GPS cable	CFQ-9000
Map card	CDD-812
Fitting kit	MPXP32938

## Tech Specs

Chart data	NAVIONICS/Newpec	NMEA in/output	NMEA0183/2000
Display range	Latitude 85 degrees or less	NMEA version	Ver1.5/2.1/2.3/4.0
Scale	0.1~5000nm (Screen width)	Power supply	DC11~35V
Position	Latitude / longitude, Decca, LORAN C, LORAN A	Consumption	Less than 25W
		Resolution	XGA or SVGA



[www.jrc.am](http://www.jrc.am)

Centers of Excellence  
Houston, Rotterdam, Singapore, Tokyo